



# FLOOD MULTISENSOR 3 IN 1

## QUICK INSTALLATION GUIDE v1.0

### TRADEMARKS

Zipato and the Zipato logo are registered Trademarks. All other product names mentioned herein may be trademarks or registered trademarks of their respective companies.

### NOTICE

Although Zipato has attempted to ensure the accuracy of the content of this manual, it is possible that this document may contain technical inaccuracies, typographical, or other errors. Zipato assumes no liability for any error in this publication, and for damages, whether direct, indirect, incidental, and consequential or otherwise, that may result from such error, including, but not limited to loss of data or profits.

Zipato provides this publication "as is" without warranty of any kind, either express or implied, including, but not limited to implied warranties of merchantability or fitness for a particular purpose. The published information in the manual is subject to change without notice. Zipato reserves the right to make changes in the product design, layout, and driver revisions without notification to its users. This version of the Installation guide supersedes all previous versions.

### ELECTROMAGNETIC COMPATIBILITY

When operated according to manufacturer instructions, the product complies with all applicable CE harmonised standards from EMC Directive 2004/108/EC and Part 15 of the FCC Rules. The connections conducting HF signals must not be damaged or altered in any way by the user.

### TAKE CARE OF YOUR SAFETY

Display extreme caution when using ladders or steps, please follow manufacturer's instructions. Be careful when using hand and power tools and follow the manufacturer's guidelines when using them. Take care that the correct tools are used. Wear goggles or protective clothing where required.

## INTRODUCTION

Zipato Flood Multisensor 3 in 1 integrates flood, temperature and humidity sensors in one device, connected to your Z-Wave network of choice.

This device offers elaborate safety and ambient sensing options. Multifunctional nature of this product allows you to be informed about water leakages and potential flood disasters, as well as to measure temperature and humidity levels.

Flood Multisensor 3 in 1 is Z-Wave Plus(tm) product, it supports security, OTA and all other new features of 500 Series Z-Wave chipset.

Z-Wave is a wireless communication protocol designed for remote control of appliances in residential automated homes and light commercial environments. It can be used with lightning systems, home access control, entertainment systems and house appliances.

This product can be included and operated in any Z-Wave network with other Z-Wave certified devices from other manufacturers and/or other applications. All non-battery operated nodes within the network will act as repeaters regardless of vendor to increase reliability of the network.

The device is based on Z-Wave 500 series chip, and has advantages as below:

- Concurrent multi-channel support reduces external interference.
- Better RF range, about 10 meters improvement indoors.
- Supports 100 Kbps transmission speeds.

## OVERVIEW



### PACKAGE CONTENT

1PC	Flood Multisensor Trio	1PC	Screws pack
1PC	Sticker pack	1PC	Quick Installation Guide

## FEATURES

- Flood, temperature, humidity sensors integrated in one device
- High sensitive linear flood detector
- New Z-Wave 500 series chip brings better RF range indoors and up to 100 Kbps transmission speeds
- Higher output power to enhance the communication range(+5dBm output power as compared to -2.5dBm 300 series)
- Mounting can be done with tape or screws (included in the box)
- Tamper proof protection
- Over-the-air firmware update
- Extremely low power consumption, 7 years battery lifespan
- Low power indication
- Easy installation
- Slim, elegant design

## SPECIFICATIONS

PROTOCOL	Z-Wave Plus
POWER	CR123A Lithium battery

BATTERY CAPACITY	1400mA
OPERATING VOLTAGE	3.0V
OPERATING CURRENT	35 mA
STANDBY CURRENT	5 uA
RANGE	min. 40m indoor/70m (for indoor use only)
OPERATING TEMPERATURE	-10 ~ 40° C
TEMPERATURE DETECT RANGE	-10 ~ 40° C
TEMPERATURE DETECT ACCURACY	±0.4° C
HUMIDITY DETECT RANGE	80%RH
WEIGHT	-
DIMENSIONS	-

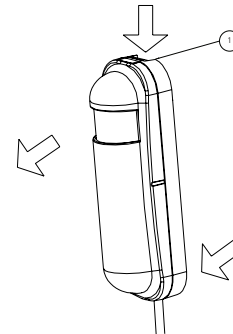
### MODEL AND FREQUENCIES

EUROPEAN UNION - EU version	ph-pat02.eu / 868.42 MHz
UNITED STATES - US version	ph-pat02.us / 908.42MHz
RUSSIA - RU version	ph-pat02.ru / 869.02MHz
ISRAEL - IS version	ph-pat02.is / 916.02MHz
AUSTRALIA - AU version	ph-pat02.au / 921.42MHz
INDIA - IN version	ph-pat02.in / 865.20MHz

## INSTALLATION

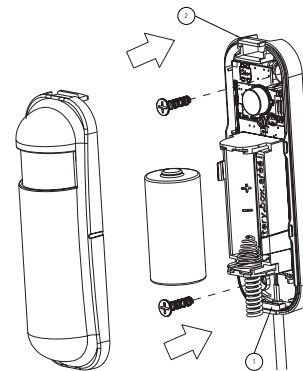
### BATTERY INSTALLATION

When the device reports low battery message, the user should replace the battery with new one. The battery type is CR123A, 3.0V. To open the front cover please press the top position, and release the cover.



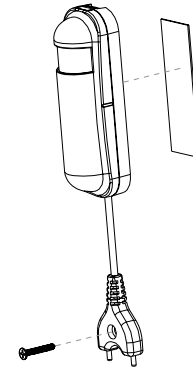
Replace the new battery and install the cover back.

1. Press the front cover bottom, and push down.
2. Push the front cover top.



### MOUNTING

To mount the device on the wall, you can choose using the tape, or the screw.



## POWER UP PROCEDURE

### BATTERY POWER CHECK

When the device powers up, the device will detect the power level of the battery immediately. If the power level is too low, the LED will continue flashing for about 5 seconds. If this is the case, please replace the battery.

### NETWORK WIDE INCLUSION (NWI)

When the device powers on, the device will check if it is already added to the network? If it's not, it will auto start the NWI mode. The LED will flash every second for about 30 seconds until timeout or successful inclusion of device to Z-Wave controller. The user can press the tamper key 3 times to abort the NWI mode.

**Note:** If the device is already added to the network, the device will broadcast a node information once.

### WAKE

When the device powers on, the device will be in wake state for about 20 seconds. During this time, the controller can communicate with the device. Normally the device is always sleeping to save the battery energy.

## ADDING TO Z-WAVE NETWORK

There is one tamper key on the back side of the device, it can add, remove, reset or associate with/from the Z-Wave network. For the first time, you must join the device to Z-Wave network. First, make sure the primary controller is in the add mode. And then power on the device, after taking out the insulation Mylar in the back side of the device. The device will auto start the NWI (Network Wide Inclusion) mode, and it should be included in 5 seconds. You will see the LED lights up for one second.

**Notice:** Including a node ID allocated by Z-Wave Controller means "Add" or "Inclusion". Excluding a node ID allocated by Z-Wave Controller means "Remove" or "Exclusion".

### INCLUSION

- Put Z-Wave Controller in Inclusion mode.
- Press the tamper key three times within 1.5 seconds to enter the Inclusion mode.
- After successful join, the device will enter wake state for 20 seconds, in order to receive the setting command from Z-Wave Controller.

## ⊖ EXCLUSION

- Put Z-Wave Controller in Exclusion mode.
- Press the tamper key three times within 1.5 seconds to enter the Exclusion mode. Node ID has been excluded.

## ⊖ RESET

Notice: Use this procedure only in the event that the primary controller is lost or otherwise inoperable.

- Press the tamper key four times within 1.5 seconds and hold it until LED lights up.
- After 3 seconds the LED will turn OFF, and after that you should release the tamper key within 2 seconds. If successful, the LED will light up for one second. Otherwise, the LED will flash once.
- IDs are excluded and all settings will reset to factory default.

## ⊕ ASSOCIATION

- Put Z-Wave Controller in association mode.
- Press tamper key three times within 1.5 seconds to enter the association mode.

**Note:** The device supports 2 groups. The group 1 is for receiving the report message, like triggered event, temperature, humidity etc. The group 2 is for the light control, the device will send the "Basic Set" command to this group. And each group support 8 nodes at maximum.

- Failed or successful attempts of adding/removing the node ID can be viewed from Z-Wave Controller.

**Notice:** Always RESET a Z-Wave device before trying to add it to the Z-Wave network.

**Notice:** When the device enters NWI mode, the sensor functionality will be disabled. The NWI mode will timeout after 30 seconds. You can press the tamper key 3 times to abort the NWI mode.

## Z-WAVE NOTIFICATION

After the device joins the network, it will wake-up once per day by default. When it wakes-up it will broadcast the "Wake Up Notification" message to the network, and wake-up 10 seconds for to the setting commands. The wake-up interval setting is 30 minutes at minimum, and 120 hours at maximum. Press the tamper key once and device will wake-up for 10 seconds.

## Z-WAVE MESSAGE REPORT

When triggered by flood, the device will report the trigger event and also report the battery status, temperature and humidity levels. By default the device will use Notification Report to represent the trigger event. It can be changed to Sensor Binary Report by setting the configuration NO. 7 Bit4 to 1.

## ⊖ FLOOD REPORT

When triggered by the flood, the device will send the report to the nodes in the group 1.

Notification Report [V4]
Notification Type: Water Alarm [0x05] Event: Water Leak detected, Unknown Location [0x02]
Sensor Binary Report [V2]
Sensor Type: Water [0x06] Sensor Value: 0xFF

After the flood trigger clears, the device will send the report to the nodes in the group 1.

Notification Report [V4]
Notification Type: Water Alarm [0x05] Event: 0x00

Sensor Binary Report [V2]
Sensor Type: Water [0x06] Sensor Value: 0x00

## ⊖ TAMPER REPORT

If tamper key is pressed for over 5 seconds the device will enter the alarm state. In that state, if the tamper key is released, the device will send the report to the nodes in the group 1.

Notification Report [V4]
Notification Type: Home Security [0x07] Event: Tampering. Product covering removed [0x03]
Sensor Binary Report [V2]
Sensor Type: Tamper [0x08] Sensor Value: 0xFF

## ⊖ TEMPERATURE REPORT

When triggered by flood or the temperature changes for over 1 Fahrenheit (by default), the device will send the "Sensor Multilevel Report" to the nodes in the group 1.

Sensor Type: Temperature [0x01]  
**Note:** To disable sending temperature report after the flood trigger, please set the configuration NO.5 bit5 to 1.

### ■ Temperature differential report

This function is enabled by default, to disable this function set the configuration NO.21 to 0.

By default, when temperature changes plus/minus one degree Fahrenheit (0.56 degree Celsius), the device will report temperature information to the nodes in the group 1.

The device will measure the temperature per every 10 seconds. If the temperature is over 140 degree Fahrenheit (60 degree Celsius), the device will report each measurement.

## ⊖ HUMIDITY REPORT

When triggered by flood or humidity changes over 5 percent (by default), the device will send the "Sensor Multilevel Report" to the nodes in the group 1.

Sensor Type: Humidity [0x05]  
**Note:** To disable sending humidity report after the flood triggering, set the configuration NO.6 bit6 to 1.

### ■ Humidity differential report

This function is enabled by default, to disable it set the configuration NO.23 to zero. If you enable this functionality, the device will measure the humidity every 10 seconds. And if the humidity is changed to plus or minus the value set in the configuration NO.23, the device will report humidity information to the nodes in the group 1.

## ⊖ TIMING REPORT

Besides the event triggered message reports, the device also supports timing of unsolicited status reports.

- Battery level report: By default, every 6 hours report is sent once. It could be changed by setting the configuration NO. 10.
- Low battery report: When the battery level is too low, every 30 minutes report is sent once.
- Temperature report: By default, every 6 hours report is sent once. It could be changed by setting the configuration NO. 13.
- Humidity report: By default, every 6 hours report is sent once. It could be changed by setting the configuration NO. 14.
- Flood state report: By default, every 6 hours report is sent once. It could be changed by setting the configuration NO. 15.

**Notice:** The configuration NO. 10, 13, 14 and 15 can be set to zero to disable the auto report. And the configuration NO. 20 can set the interval, the default value is 30, if setting to 1, that means the minimum auto report interval will be one minute. And please note that if you set this value to zero, you will disable all of the timing reports except the low battery detection.

## Z-WAVE CONFIGURATION SETTINGS

- For all of the configuration parameters, the data size is 1.
- The configuration marked with star (\*), means that after removal of device from the network, the setting will stay, without reverting back to factory settings unless user executes the "RESET" procedure.
- The reserve bit or not supported bit is allowed any value, without effects.

NO.	Name	Default	Valid	Description
1	Basic Set OFF Level	0	Center	Setting the BASIC command value. When the flood trigger off(0x00), send the BASIC CC to the group 2.
2	Basic Set ON Level	0xFF	Center	Setting the BASIC command value. When the flood trigger on(0xFF), send the BASIC CC to the group 2.
5 (*)	Operation Mode	0	All	Operation mode. Using bit to control. Bit0: Disable the Flood function. Bit3: Setting the temperature scale. 0: Fahrenheit, 1:Celsius Bit5: Disable the temperature report after event triggered. (1:Disable, 0:Enable)
6 (*)	Multi-Sensor Function Switch	0	All	Multisensor function switch. Using bit to control. Bit6: Disable the humidity report after event triggered. (1:Disable, 0:Enable)
7 (*)	Customer Function	0	All	Customer function switch, using bit control. Bit3: Disable send out BASIC OFF after the flood event cleared. (1:Disable, 0:Enable) Bit4: Notification Type, 0: Using Notification Report. 1: Using Sensor Binary Report. Bit5: Disable Multi CC in auto report. (1:Disable, 0:Enable) Bit6: Disable to report battery state when the device triggered. (1:Disable, 0:Enable)
10	Auto Report Battery Time	12	0 - 127	The interval time for auto report the battery level. 0 means turn off auto report. The default value is 12. The tick time can be set by the configuration No.20.
13	Auto Report Temperature Time	12	0-127	The interval time for auto report the temperature. 0 means turn off auto report. The default value is 12. The tick time can be set by the configuration No.20.
14	Auto Report Humidity Time	12	0-127	The interval time for auto report the humidity. 0 means turn off auto report. The default value is 12. The tick time can be set by the configuration No.20.

15	Auto Report Flood Time	12	0-127	The interval time for auto report the flood state. 0 means turn off auto report. The default value is 12. The tick time can be set by the configuration No.20.
20	Auto Report Tick Interval	30	0 - 0xFF	The interval time for auto report each tick. Setting this configuration will effect configuration No.10, No.13, No.14 and No.15. Units of one minute. <b>Caution1:</b> Setting to 0 means turn off all auto report function. <b>Caution2:</b> The value is unsigned byte
21	Temperature Differential Report	1	0 - 0x7F	The temperature differential to report. 0 means turn off this function. The unit is Fahrenheit. Enable this function the device will detect every 10 seconds. And when the temperature is over 140 degree Fahrenheit, it will continue report.
22	Humidity Differential Report	5	0 - 60	The humidity differential to report. 0 means turn off this function. The unit is percentage. Enable this function the device will detect every 10 seconds.

## SECURITY NETWORK

This device supports the security function. When the device is paired with security controller, the device will auto switch to the security mode. In security mode, the following commands need to be wrapped using Security Command Classes to communicate, otherwise there will be no response.

COMMAND\_CLASS\_BATTERY  
COMMAND\_CLASS\_NOTIFICATION\_V4  
COMMAND\_CLASS\_ASSOCIATION\_V2  
COMMAND\_CLASS\_CONFIGURATION  
COMMAND\_CLASS\_SENSOR\_BINARY\_V2  
COMMAND\_CLASS\_SENSOR\_MULTILEVEL\_V5  
COMMAND\_CLASS\_WAKE\_UP\_V2

## OVER THE AIR FIRMWARE UPDATE

The device supports Z-Wave firmware update via OTA. Put the controller into firmware update mode, and then press the tamper key once to start the update. After completing firmware download, the LED will flash every 0.5 second. At that time, please don't remove the battery, otherwise the firmware will fail, and the device will stop functioning. After the LED stops flashing, it's recommended that user powers up the device.

**Caution:** After removal of the battery, please wait for about 30 seconds, and then reinstall the battery.

## Z-WAVE COMMAND CLASSES

COMMAND\_CLASS\_ZWAVEPLUS\_INFO\_V2  
COMMAND\_CLASS\_BATTERY  
COMMAND\_CLASS\_NOTIFICATION\_V4  
COMMAND\_CLASS\_ASSOCIATION\_V2  
COMMAND\_CLASS\_CONFIGURATION  
COMMAND\_CLASS\_MANUFACTURER\_SPECIFIC\_V2

COMMAND\_CLASS\_VERSION\_V2  
COMMAND\_CLASS\_SENSOR\_BINARY\_V2  
COMMAND\_CLASS\_SENSOR\_MULTILEVEL\_V5  
COMMAND\_CLASS\_WAKE\_UP\_V2  
COMMAND\_CLASS\_ASSOCIATION\_GRP\_INFO  
COMMAND\_CLASS\_POWERLEVEL  
COMMAND\_CLASS\_DEVICE\_RESET\_LOCALLY  
COMMAND\_CLASS\_MULTI\_CMD  
COMMAND\_CLASS\_SECURITY  
COMMAND\_CLASS\_FIRMWARE\_UPDATE\_MD\_V2

## TROUBLESHOOTING

### Having trouble installing your new product?

Zipato's website contains the latest user documentation and software updates for Zipato products and services:  
[www.zipato.com](http://www.zipato.com)

You can also find answers in the Zipato Community at:  
[community.zipato.com](http://community.zipato.com)

Zipato Support: [support@zipato.com](mailto:support@zipato.com)

## LIMITED PRODUCT WARRANTY

### GENERAL TERMS

Nothing in this Limited Product Warranty affects your statutory rights as a consumer.  
The Limited Product Warranty set forth below is given by Tri plus grupa d.o.o. (Europe) [herein referred to as "ZIPATO"]. This Limited Product Warranty is only effective upon presentation of the proof of purchase. Upon further request by ZIPATO, this warranty card may be presented, too.

EXCEPT AS EXPRESSLY SET FORTH IN THIS LIMITED WARRANTY, ZIPATO MAKES NO OTHER WARRANTIES, EXPRESS OR IMPLIED, INCLUDING ANY IMPLIED WARRANTIES OF MERCHANTABILITY AND FITNESS FOR A PARTICULAR PURPOSE. ZIPATO EXPRESSLY DISCLAIMS ALL WARRANTIES NOT STATED IN THIS LIMITED WARRANTY. ANY IMPLIED WARRANTIES THAT MAY BE IMPOSED BY LAW ARE LIMITED IN DURATION TO THE LIMITED WARRANTY PERIOD. TO THE EXTENT ALLOWED BY LOCAL LAW, THE REMEDIES IN THIS WARRANTY STATEMENT ARE CUSTOMER'S SOLE AND EXCLUSIVE REMEDIES AGAINST ZIPATO. THEY DO NOT, HOWEVER, AFFECT OR RESTRICT THE RIGHTS YOU HAVE AGAINST THE BUSINESS YOU BOUGHT A ZIPATO PRODUCT FROM. IN NO EVENT WILL ZIPATO BE LIABLE FOR LOSS OF DATA OR FOR INDIRECT, SPECIAL, INCIDENTAL, CONSEQUENTIAL (INCLUDING LOST PROFIT OR DATA), OR OTHER DAMAGE, WHETHER BASED IN CONTRACT, TORT, OR OTHERWISE. HOWEVER, NOTHING IN THIS AGREEMENT LIMITS ZIPATO'S LIABILITY TO YOU (I) IN THE EVENT OF DEATH OR PERSONAL INJURY TO THE EXTENT RESULTING FROM ZIPATO'S NEGLIGENCE, OR (II) TO THE EXTENT RESULTING FROM ANY FRAUDULENT MISREPRESENTATION ON THE PART OF ZIPATO, OR (III) TO THE EXTENT ARISING UNDER PART 1 OF THE CONSUMER PROTECTION ACT 1987 OF THE UNITED KINGDOM. SOME STATES OR COUNTRIES DO NOT ALLOW: (1) A DISCLAIMER OF IMPLIED WARRANTIES; (2) A LIMITATION ON HOW LONG AN IMPLIED WARRANTY LASTS OR THE EXCLUSION; OR (3) LIMITATION OF INCIDENTAL OR CONSEQUENTIAL DAMAGES FOR CONSUMER PRODUCTS. IN SUCH STATES OR COUNTRIES, SOME EXCLUSIONS OR LIMITATIONS OF THIS LIMITED WARRANTY MAY NOT APPLY TO YOU. THIS LIMITED WARRANTY GIVES YOU SPECIFIC LEGAL RIGHTS. YOU MAY ALSO HAVE OTHER RIGHTS THAT MAY VARY FROM STATE TO STATE OR FROM COUNTRY TO COUNTRY. YOU ARE ADVISED TO CONSULT APPLICABLE STATE OR COUNTRY LAWS FOR A FULL DETERMINATION OF YOUR RIGHTS.

This Limited Product Warranty applies to ZIPATO branded hardware products (collectively referred to as "ZIPATO Hardware Products")

sold by ZIPATO (Europe), its European subsidiaries, affiliates, authorized resellers, or country distributors (collectively referred to as "ZIPATO Resellers") with this Limited Product Warranty.

The term "ZIPATO Hardware Product" is limited to the hardware components and all its internal components including firmware. The term "ZIPATO Hardware Product" DOES NOT include any software applications or programs.

### GEOGRAPHICAL SCOPE OF THE LIMITED PRODUCT WARRANTY

This Limited Product Warranty is applicable to Hardware Products sold by Zipato Resellers in all countries listed at the beginning of this document under the heading "Countries in which this ZIPATO Limited Product Warranty applies". The Limited Product Warranty will be honored in any country where ZIPATO or its authorized service providers offer warranty service subject to the terms and conditions set forth in this Limited Product Warranty. However, warranty service availability and response times may vary from country to country and may also be subject to registration requirements.

### LIMITATION OF PRODUCT WARRANTY

ZIPATO warrants that the products described below under normal use are free from material defects in materials and workmanship during the Limited Product Warranty Period set forth below ("Limited Product Warranty Period"), if the product is used and serviced in accordance with the user manual and other documentation provided to the purchaser at the time of purchase (or as amended from time to time).

ZIPATO does not warrant that the products will operate uninterrupted or error-free or that all deficiencies, errors, defects or non-conformities will be corrected.

This warranty shall not apply to problems resulting from: (a) unauthorized alterations or attachments; (b) negligence, abuse or misuse, including failure to operate the product in accordance with specifications or interface requirements; (c) improper handling; (d) failure of goods or services not obtained from ZIPATO or not subject to a then-effective ZIPATO warranty or maintenance agreement; (e) improper use or storage; or (f) fire, water, acts of God or other catastrophic events. This warranty shall also not apply to any particular product if any ZIPATO serial number has been removed or defaced in any way.

ZIPATO IS NOT RESPONSIBLE FOR DAMAGE THAT OCCURS AS A RESULT OF YOUR FAILURE TO FOLLOW THE INSTRUCTIONS FOR THE ZIPATO HARDWARE PRODUCT.

### LIMITED PRODUCT WARRANTY PERIOD

The Limited Product Warranty Period starts on the date of purchase from ZIPATO. Your dated sales or delivery receipt, showing the date of purchase of the product, is your proof of the purchase date. You may be required to provide proof of purchase as a condition of receiving warranty service. You are entitled to warranty service according to the terms and conditions of this document if a repair to your ZIPATO branded hardware is required within the Limited Product Warranty Period. [Other than in respect of products for domestic use (in particular those listed in the first and last boxes in the table below), this Limited Product Warranty extends only to the original end user purchaser of this ZIPATO Hardware Product and is not transferable to anyone who obtains ownership of the ZIPATO Hardware Product from the original end-user purchaser.

### PRODUCT WARRANTY PERIOD TABLE

PRODUCT TYPE	Flood Multisensor 3 in 1
PRODUCT WARRANTY PERIOD	One (1) year

### IMPORTANT

The content of "Product Type" listed above is subject to change; please refer to the [www.zipato.com](http://www.zipato.com) for latest update.

### PERFORMANCE OF THE LIMITED PRODUCT WARRANTY

If a product defect occurs, ZIPATO's sole obligation shall be to repair or replace any defective Zipato Hardware Product free of charge provided it is returned to an Authorized ZIPATO Service Centre during the Limited Warranty Period. Such repair or replacement will be rendered by ZIPATO at an Authorized ZIPATO Service Centre. All component parts or hardware products that are replaced under this Limited Product Warranty become the property of ZIPATO. The replacement part or product takes on the remaining Limited Warranty Period of the replaced part or product. The replacement product need not be new or of an identical make, model or part; ZIPATO may in its discretion replace the defective product (or any part thereof) with any reconditioned equivalent (or superior) product in all material respects to the defective product.

### WARRANTOR

Tri plus grupa d.o.o.  
Banjavičeva 11  
10 000 Zagreb  
CROATIA

TEL +385 (0)1 4004 404  
FAX +385 (0)1 4004 405

## DECLARATION OF CONFORMITY



The manufacturer Tri plus grupa d.o.o. declares under our sole responsibility that the product:

**Marketing model:** Flood Multisensor 3 in 1  
**Regulatory model:** ph-pat02  
**Trade/Brand name:** Zipato

is in conformity with the Low Voltage Directive 2006/95/EC, EMC Directive 2004/108/EC, R&TTE Directive 1995/5/EC and carries the CE marking accordingly.

The following harmonized standards were applied:

### R&TTE [1995/5/EC]

EN 300 220-1: V2.4.1  
EN 300 220-2: V2.4.1

### EMC [2004/108/EC]

EN 301 489-1: V1.9.2  
EN 301 489-3: V1.6.1  
EN 6100-3-3: 2006+A2: 2009  
EN 6100-3-3:2013

### LVD [2006/95/EC]

EN 60950-1:2006+A11:2009+A1:2010+A12:2011

Changes or modifications not expressly approved by Tri plus grupa d.o.o. for compliance could void the user's authority to operate the equipment.



### THIS DEVICE COMPLIES WITH PART 15 OF THE FCC RULES.

Operation is subject to the following two conditions:  
1 | this device may not cause harmful interference, and  
2 | this device must accept any interference received, including interference that may cause undesired operation.

**NOTE:** Changes or modifications not expressly approved by Zipato for compliance could void the user's authority to operate the equipment. This equipment has been tested and found to comply with the limits for a Class B digital device, pursuant to Part 15 of the FCC Rules. These limits are designed to provide reasonable protection

against harmful interference in a residential installation. This equipment generates, uses and can radiate radio frequency energy and, if not installed and used in accordance with the instructions, may cause harmful interference to radio communications.

However, there is no guarantee that interference will not occur in a particular installation. If this equipment does cause harmful interference to radio or television reception, which can be determined by turning the equipment off and on, the user is encouraged to try to correct the interference by one or more of the following measures:

- Reorient or relocate the receiving antenna.
- Increase the separation between the equipment and receiver.
- Connect the equipment into an outlet on a circuit different from that to which the receiver is connected.
- Consult the dealer or an experienced radio/TV technician for help.

### DISPOSING AND RECYCLING YOUR PRODUCT

When it reaches end of life, dispose of the product according to your local environmental laws, guidelines and regulations.

### BATTERY DISPOSAL

Dispose of batteries according to your local environmental laws, guidelines and regulations.



This symbol on the product or packaging means that according to local laws and regulations needs to be disposed of separately from household waste. Once this product has reached the end of its life, please take it to a collection point (recycle facilities) designated by your local authorities, some will accept your product for free or simply drop it off at your Zipato re-seller store. By recycling the product and its packaging in this manner you help to conserve the environment and protect human health. At Zipato, we understand and are committed to reducing any impact our operations and products may have on the environment. To minimize this impact Zipato designs and builds its products to be as environmentally friendly as possible, by using recyclable, low toxic materials in both products and packaging

### COPYRIGHT

© 2015 Tri plus grupa d.o.o. All Rights Reserved.  
No part of this manual may be reproduced or transmitted in any form without the expressed, written permission of Tri plus grupa d.o.o.